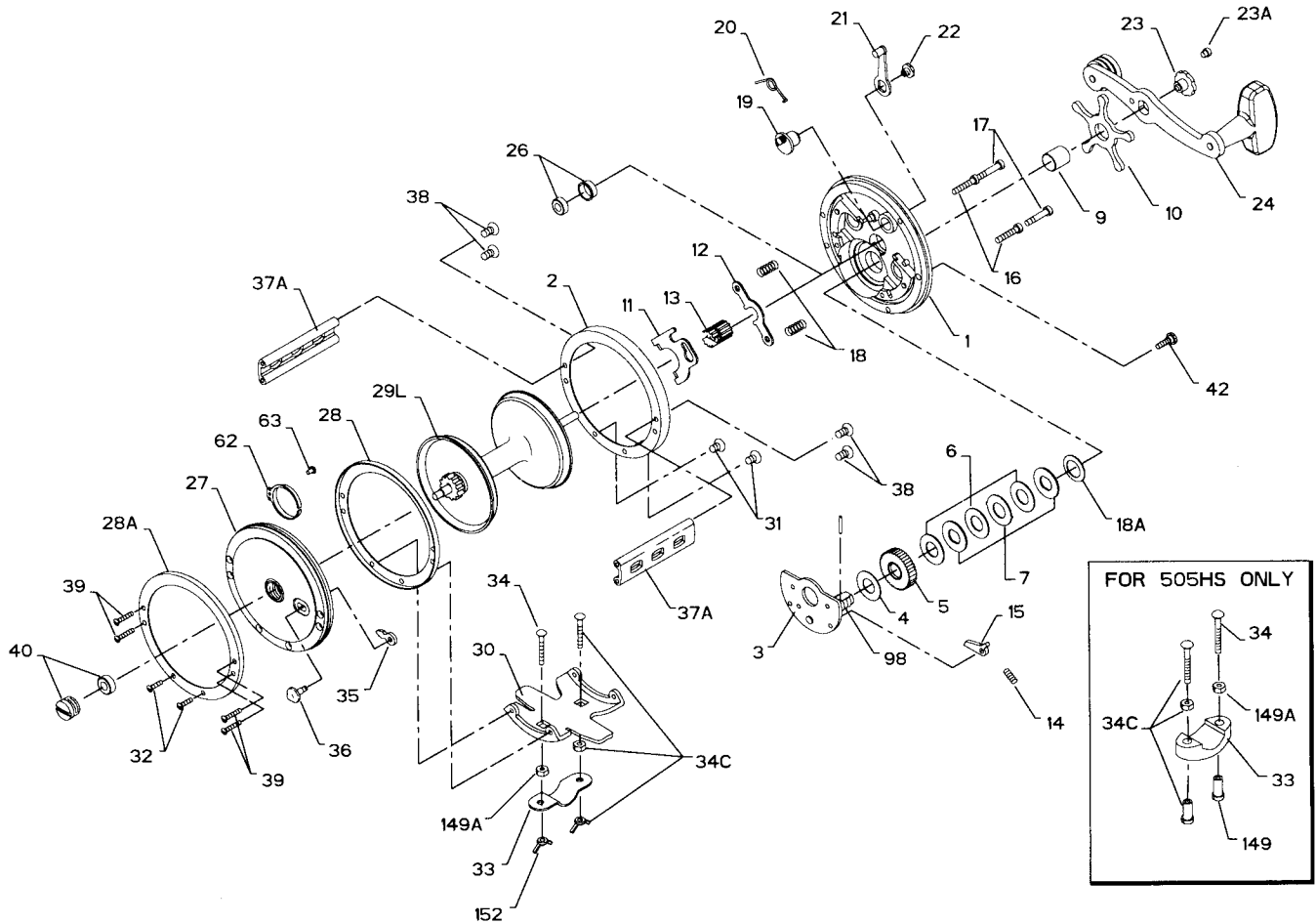




PARTS AND PRICE LIST FOR MODELS 505 AND 506 HS



Key No.	Part No.	Description	Price	Key No.	Part No.	Description	Price
1	1-505	Right Side Plate	\$7.75	28A	28-110-O	Left Side Ring (Outer)	\$2.75
	1-506	Right Side Plate	7.75	29L	29L-505	Aluminum Spool	18.95
2	2-250	Right Side Ring	5.50		29L-506	Aluminum Spool	17.25
3	3-505	Bridge w/Sleeve	7.60	30	30-200	Stand (505 Only)	5.75
4	4-60	Fiber Washer	.40		30-49	Stand (506 Only)	5.35
5	5-505	Main Gear	4.80	31	31-19	R.S. Stand Screw	.40
6	6-309	Washer	.80	32	39-3	L.S. Stand Screw	.40
7	7C-500	Washer (Metal Set)	3.00	33	33-113	Rod Clamp (505)	4.00
8	8-60	Tension Spring	.50		33-49	Rod Clamp (506)	2.50
9	9-60	Spacing Sleeve	.90		*33-113	Ringed Rod Clamp (505) (Optional)	6.25
10	10-505	Star Drag	3.10		*33R-49	Ringed Rod Clamp (506) (Optional)	5.35
11	11-99	Eccentric Jack	1.25	34	34-45	Clamp Screw (505) (2 req.)	.90
12	12-500	Pinion Yoke	.95		34-49	Clamp Screw (506) (2 req.)	.50
13	13-505	Pinion Gear	3.95	34C	34C-45	Clamp Screw w/Nuts (505)	2.25
14	14-500	Dog Spring	.40		34C-49	Clamp Screw w/Nuts (506)	1.20
15	15-500	Dog	.90	35	35-60	Click Tongue	.90
16	16-60	Lower Bridge Screw	.40	36	36-209	Click Button	.80
17	17-60	Upper Bridge Screw	.40	37A	37A-500	Spacer Bar	4.40
18	18-60	Clutch Spring	.40		*37A-506	Spacer Bar	4.40
18A	18-505	Drag Spring Disc	.95	38	38-7	Right Side Post Screw	.40
19	19-250	Eccentric	1.80	39	39-9	Left Side Post Screw	.40
20	20-60	Eccentric Spring	.40	40	40-210	Left Side Bearing	12.95
21	21-285	Eccentric Lever	1.50	42	TA-200	Take Apart Thumb Screw	2.25
22	22-99	Eccentric Screw	1.50	62	62-309	Click Spring	1.70
23	23-60	Handle Screw	1.70	63	63-209	Click Spring Screw	.80
23A	110-60	Handle Lock Screw	.40	98	98-505	Gear Sleeve	3.75
24	24-66	Handle (Complete)	6.60	149	149-45	Clamp Nut (2 req.)	.90
26	26-113H	Right Side Bearing	13.50	149A	149-200	Hex Nut (2 req.)	.45
27	27-505	Left Side Plate	6.00	152	152-200	Clamp Wing Nut (2 req.)	.45
28	28-110-I	Left Side Ring (Inner)	2.75				

*Not Shown